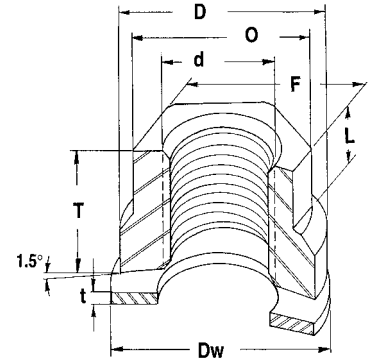


Operating Temperature: -50°F to 500°F • Bolt stress from 20,000 to 120,000 psi

Part No	Nominal Thread d In	O.D. D In	Flexnut			Hex Dimensions			Washer		Max. Design Load		Wt. Lb
			Thick T In	Relief Angle Degree	O.D. O In	Flats F In	Length L In	O.D. Dw In	Thick t In	Stress psi	Minor Area Load Lb		
SX8-075-.../w	3/4	1.30	.64	1.5	1.11	1	.30	1.50	.13	120000	36240	.2	
SX8-087-.../w	7/8	1.52	.74	1.5	1.25	1-1/8	.35	1.62	.13	120000	50280	.3	
SX8-100-.../w	1	1.73	.85	1.5	1.46	1-5/16	.40	2.00	.16	120000	66120	.4	
SX8-112-.../w	1-1/8	1.95	.96	1.5	1.67	1-1/2	.45	2.12	.16	120000	87360	.6	
SX8-125-.../w	1-1/4	2.17	1.06	1.5	1.81	1-5/8	.50	2.50	.19	120000	111480	.8	
SX8-137-.../w	1-3/8	2.38	1.17	1.5	1.94	1-3/4	.55	2.50	.19	120000	138600	1.1	
SX8-150-.../w	1-1/2	2.60	1.28	1.5	2.22	2	.60	3.00	.25	120000	168000	1.4	
SX8-162-.../w	1-5/8	2.81	1.38	1.5	2.36	2-1/8	.65	3.00	.25	120000	201600	1.7	
SX8-175-.../w	1-3/4	3.03	1.49	1.5	2.50	2-1/4	.70	3.25	.25	120000	237600	2.1	
SX8-187-.../w	1-7/8	3.25	1.59	1.5	2.78	2-1/2	.75	3.50	.25	120000	276000	2.6	
SX8-200-.../w	2	3.46	1.70	1.5	2.92	2-5/8	.80	3.75	.25	120000	318000	3.2	
SX8-225-.../w	2-1/4	3.90	1.91	1.5	3.30	3	.90	4.22	.31	100000	342000	4.5	
SX8-250-.../w	2-1/2	4.33	2.13	1.5	3.55	3-1/4	1.0	4.70	.31	100000	429000	6.1	
SX8-275-.../w	2-3/4	4.76	2.34	1.5	3.93	3-5/8	1.1	4.95	.31	100000	526000	8	
SX8-300-.../w	3	5.20	2.55	1.5	4.30	4	1.2	5.45	.38	100000	632000	10	
SX8-325-.../w	3-1/4	5.63	2.76	1.5	4.88	4-1/2	1.3	5.95	.38	100000	749000	13	
SX8-350-.../w	3-1/2	6.06	2.98	1.5	5.25	4-7/8	1.4	6.45	.38	100000	875000	17	
SX8-375-.../w	3-3/4	6.50	3.19	1.5	5.63	5-1/4	1.5	6.95	.38	100000	1011000	20	
SX8-400-.../w	4	6.93	3.40	1.5	6.00	5-5/8	1.6	7.45	.43	100000	1157000	25	
SX8-425-.../w	4-1/4	7.36	3.61	1.5	6.38	5-7/8	1.7	7.95	.43	100000	1312000	29	
SX8-450-.../w	4-1/2	7.79	3.83	1.5	6.75	6-1/4	1.8	8.20	.43	100000	1478000	35	
SX8-475-.../w	4-3/4	8.23	4.04	1.5	7.13	6-5/8	1.9	8.70	.43	100000	1650000	41	
SX8-500-.../w	5	8.66	4.25	1.5	7.50	7	2.0	9.45	.50	100000	1800000	48	
SX8-525-.../w	5-1/4	9.09	4.46	1.5	7.88	7-3/8	2.1	9.45	.50	100000	2030000	55	
SX8-550-.../w	5-1/2	9.53	4.68	1.5	8.25	7-3/4	2.2	9.95	.50	100000	2290000	62	
SX8-575-.../w	5-3/4	9.96	4.89	1.5	8.63	8-1/8	2.3	10.45	.50	100000	2450000	72	
SX8-600-.../w	6	10.39	5.10	1.5	9.00	8-1/2	2.4	10.95	.50	100000	2680000	82	



Patented SX8 series Flexnuts are designed to flex within the bolt stress range common for most torquebolts. They are ideal for reducing stress concentrations and also for adding flexibility to gasketed joints. They are suitable for SB8, SB12, and SSJX Torquebolts®, and also in conjunction with through studs and Torquenuts.

**APPLICATIONS:** Test equipment, aircraft equipment, rocket and space, nuclear, mining, crushers, gasketed flanges, etc.

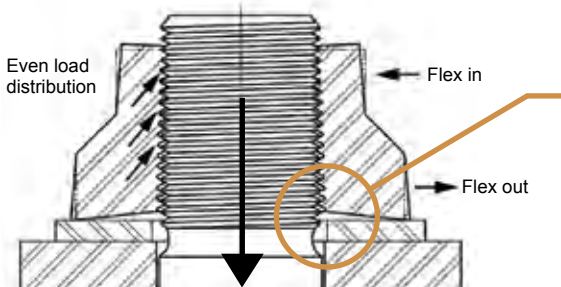
WHEN ORDERING: Replace the three dots (...) with the threads per inch (TPI) or the metric pitch required. Please watch for unusual thread forms. See also "HOW TO ORDER" on page 5.

Metric	mm	mm	mm	Degree	mm	mm	mm	mm	mm	psi	Lb	Lb
SX8-M20-.../w	M20	35	17	1.5	30	27	8	38	3.3	120000	40320	.2
SX8-M24-.../w	M24	42	20	1.5	37	33	10	44	3.3	120000	58200	.4
SX8-M27-.../w	M27	47	23	1.5	40	36	11	51	4.0	120000	76560	.5
SX8-M30-.../w	M30	52	25	1.5	43	39	12	57	4.0	120000	93600	.7
SX8-M33-.../w	M33	57	28	1.5	47	42	13	64	4.8	120000	116880	.9
SX8-M36-.../w	M36	62	31	1.5	53	48	14	70	4.8	120000	137280	1.2
SX8-M39-.../w	M39	66	33	1.5	56	51	15	76	6.4	120000	165360	1.4
SX8-M42-.../w	M42	73	36	1.5	62	56	17	83	6.4	120000	188160	1.9
SX8-M45-.../w	M45	77	38	1.5	64	57	18	83	6.4	120000	222240	2.2
SX8-M48-.../w	M48	83	41	1.5	71	64	19	89	6.4	120000	249840	2.8
SX8-M52-.../w	M52	88	44	1.5	74	67	21	95	6.4	120000	300360	3.3
SX8-M56-.../w	M56	97	48	1.5	80	72	22	102	6.4	120000	346440	4.4
SX8-M60-.../w	M60	105	51	1.5	84	76	24	110	8	100000	329200	5.6
SX8-M64-.../w	M64	111	54	1.5	88	80	26	119	8	100000	382400	6.6
SX8-M72-.../w	M72	125	61	1.5	98	90	29	133	8	100000	499400	9
SX8-M80-.../w	M80	139	68	1.5	120	109	32	151	10	100000	631900	13
SX8-M90-.../w	M90	156	76	1.5	135	125	36	164	10	100000	819500	18
SX8-M100-.../w	M100	173	85	1.5	150	140	40	183	10	100000	1031000	24
SX8-M110-.../w	M110	191	94	1.5	165	152	44	202	11	100000	1267000	32
SX8-M120-.../w	M120	208	102	1.5	180	168	48	221	11	100000	1527000	41
SX8-M140-.../w	M140	243	119	1.5	210	197	56	253	13	100000	2058000	66
SX8-M160-.../w	M160	277	136	1.5	240	225	64	291	13	100000	2702000	98

Operating Temperature: -150°F to 500°F • Bolt stress from 120,000 to 200,000 psi

**How Flexnuts Work:**

Flexnuts are used on through bolt applications on the opposite end of a Torquenut® or Torquebolt®. They are designed to flex out at the bottom and flex in toward the top of the nut. This distributes the bolt load along many threads, adds elasticity, and prevents stress concentrations in the first few threads.



Reduced stress concentrations in the first few threads. Angled face of nut flattens out after tightening. [flexing shown exaggerated]

Load applied by Superbolt® Tensioner on opposite end.

Patented SX12 Flexnuts are designed for use at very high stress levels. Call for more information.



Split Gear segment on rotating kiln.