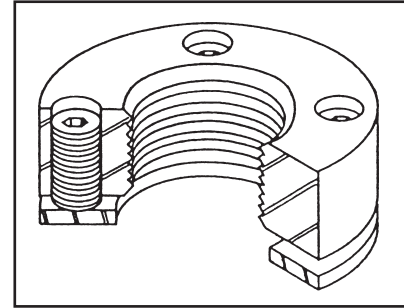




## Mill Motor Nuts SMX Series

Superbolt<sup>®</sup> Mill Motor Nuts are special jamnuts designed to fasten brake wheels, couplings, and pulleys to mill motors. They are directly interchangeable with nuts supplied by the motor manufacturers.

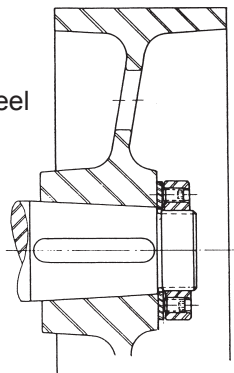


### Standard Mill Motor Nuts

Frame Sizes	Part Number	Thread Dia. (in)	TPI	Set Screw Dia. (in)	Allen or Hex Bit Size (in)
802-602-403-404	SMX-802/w	1.000	8	3/8	3/16
803-804-603-604-2MCS	SMX-803/w	1.250	8	3/8	3/16
806-606-406-102-104-20MC-3MCS-4MCS-4MCS-6MCS	SMX-806/w	1.500	8	1/2	1/4
808-608-410-104 1/2-40MC-50MC-8MCS	SMX-808/w	2.000	8	1/2	1/4
810-610-412-106	SMX-810/w	2.250	8	5/8	5/16
812-612-414-60MC-70MC-10MCS-12MCS	SMX-812/w	2.500	8	5/8	5/16
814-614	SMX-814/w	3.000	8	5/8	5/16
816-616-80MC-14MCS	SMX-816/w	3.250	8	5/8	5/16
818-618-90MC-16MCS-18MCS	SMX-818/w	3.500	8	5/8	5/16
820-822-620-622	SMX-820/w	4.000	8	5/8	5/16
824-624	SMX-824/w	4.000	8	5/8	5/16
<b>Other Standard Sizes</b>					
402	SMX-050-20/w	0.500	20	5/16	5/32
	SMX-062-18/w	0.625	18	5/16	5/32
	SMX-075-10/w	0.750	10	3/8	3/16
	SMX-075-14/w	0.750	14	3/8	3/16
	SMX-087-12/w	0.875	12	3/8	3/16
	SMX-100-12/w	1.000	12	3/8	3/16
408-103-105-30MC-2MCS	SMX-100-14/w	1.000	14	3/8	3/16
	SMX-175-8/w	1.750	8	1/2	1/4
	SMX-175-12/w	1.750	12	1/2	1/4
416MD-418MD 109	SMX-275-8/w	2.750	8	5/8	5/16
	SMX-300-8/w	3.000	8	5/8	5/16

### Design Examples of Superbolt<sup>®</sup> Mill Motor Nuts:

Mill Motor Nut with brake wheel



Mill Motor Nut with V-belt pulley

