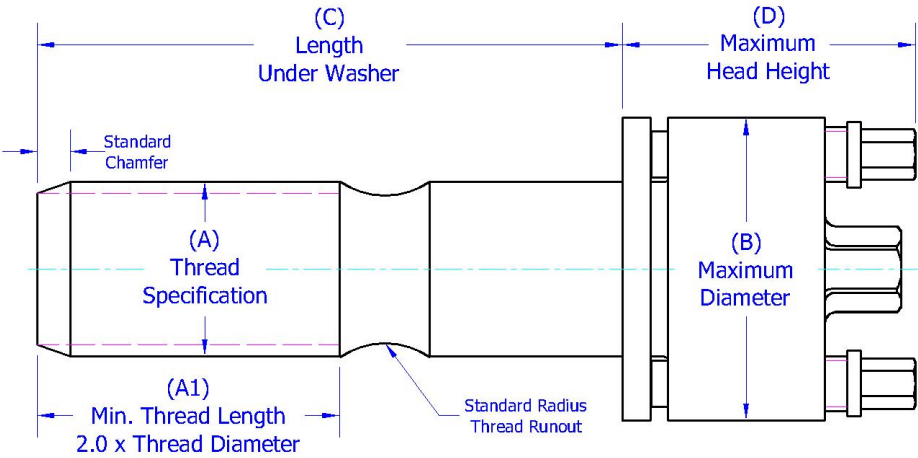


Name: _____	Date: _____
Company: _____	Phone: _____
Address: _____	Email: _____
_____	Alt.Contact: _____
_____	_____

BOLT TENSIONER



Detail		Description
A		Thread Specification (nominal diameter, pitch, class)
A1		Minimum Thread Length (+/- 0.125")
B		Maximum Diameter
C		Length Under Washer (+/- 0.125")
D		Maximum Head Height (+0/-0.020")
Joint Material		Side# 1 (e.g. 1.7225 or yield strength)
		Side# 2 (e.g. 1.7225 or yield strength)

Additional Requirements	
Operating Temperature	
Corrosive Requirements	
Required Preload (lbs)	
Other (Certifications)	

Previously Ordered *If possible, please attach drawing or sketch of the application.*