



"innovation in its most functional form"

PRODUCT DATA SHEET

ZG6™ ZERO-GAP MECHANICAL FLANGE SPREADER

SPREADING FORCE:
6 T (60 kN) per tool

It is recommended that tools are used in pairs giving
2 x 6 = 12 T (120 kN)

SPREADING DISTANCE = 0-80mm (0-3.15")

TOOL WEIGHT = 7.5kg (16.5 lbs)

KIT COMPONENTS

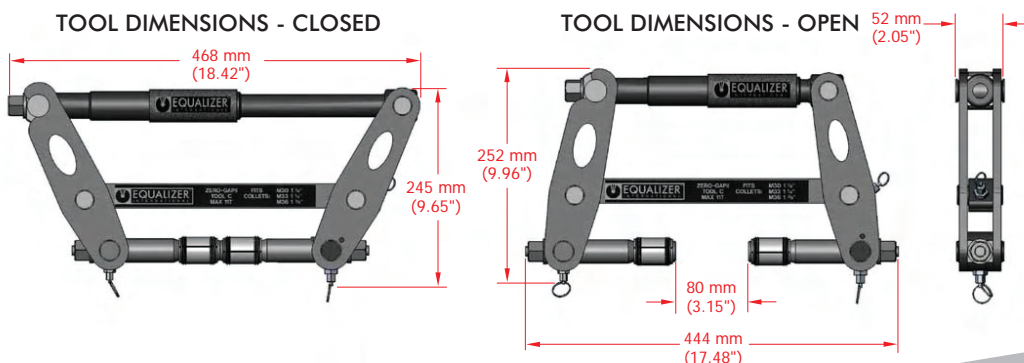
- 1 x ZG6™ Tool
 - 1 x 150mm (6") Vernier Calliper
 - 1 x 3/8" Drive Torque Wrench and 21mm Socket
 - 1 x Safety Block
 - 2 x M24 (1 7/8") Collets
 - 2 x M27 (1") Collets
 - 1 x Instruction Manual
 - 1 x Carry-Case with protective foam inserts
- Product Code: ZG6™MSTD



WEIGHTS AND DIMENSIONS

Tool weight = 7.5 kg (16.5 lbs)
Gross Weight = 16 kg (35 lbs)

Carry-Case Dimensions:
640 x 540 x 165mm (25.20" x 21.26" x 6.50")



ZG6™

ZERO-GAP MECHANICAL FLANGE SPREADER



"innovation in its most functional form"

RANGE OF APPLICATION

The ZG6™ is usable on all standard flanges that have been specified to accept the following bolt sizes:

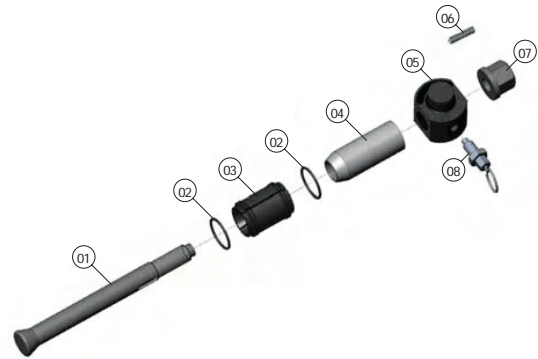
M24, M27, M70, 7/8", 1"

This includes ANSI, DIN, SPO, ASME, API and BS flanges.

For a detailed range of application please request the Zero-Gap Mechanical Operator Instruction Manual.

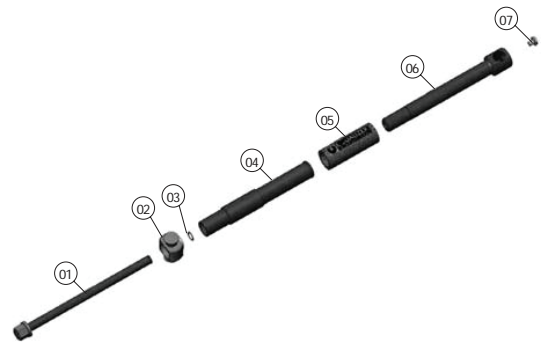
COLLET HEAD PARTS LIST AND EXPLODED DRAWING

ITEM	PART No.	DESCRIPTION	QUANTITY
01	620401	COLLET HOLDER	02
02	621001	M24 SPRING RING*	04
	621101	M27 SPRING RING*	04
03	620201	M24 COLLET*	02
	620301	M27 COLLET*	02
04	620501	DRIVE CONE	02
05	620601	COLLET UNION	02
06	620701	CENTRING SPRING 1	02
07	620801	COLLET NUT	02
08	632001	COLLET SPRING PLUNGER*	02



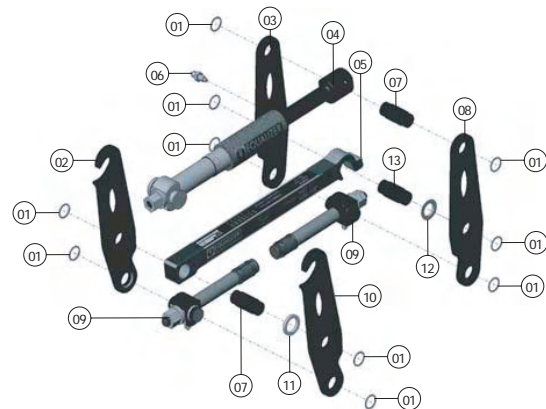
ACTUATOR PARTS LIST AND EXPLODED DRAWING

ITEM	PART No.	DESCRIPTION	QUANTITY
01	622201	ACTUATOR BOLT	01
02	622501	OPEN ACTUATOR UNION	01
03	623101	ACTUATOR RETAINING RING*	01
04	622701	ACTUATOR SLEEVE	01
05	622801	FOAM GRIP	01
06	622901	CLOSED ACTUATOR UNION	01
07	623001	ACTUATOR RETAINING BOLT	01



ZG6™ PARTS LIST AND EXPLODED DRAWING

ITEM	PART No.	DESCRIPTION	QUANTITY
01	621501	CANTILEVER RETAINING RING*	10
02	621401	OPEN LEG R/H	01
03	621801	CLOSED LEG R/H	01
04		SEE ACTUATOR PARTS LIST	
05	622101	CANTILEVER	01
06	632001	CANTILEVER PLUNGER	01
07	621701	CANTILEVER PIN	02
08	621901	CLOSED LEG L/H	01
09		SEE COLLET HEAD PARTS LIST	
10	621301	OPEN LEG L/H	01
11	632401	CANTILEVER SPACER	01
12	623501	CANTILEVER WASHER	01
13	623601	HOOK PIN	01



* Items are supplied in Spares Kit Part No: 626060-01