



EQUALIZER™
INTERNATIONAL

"innovation in its most functional form"

PRODUCT DATA SHEET

ZG11™

ZERO-GAP MECHANICAL FLANGE SPREADER

SPREADING FORCE:
11 T (110 kN) per tool

It is recommended that tools are used in pairs giving 2 x 11 = 22 T (220 kN)

SPREADING DISTANCE = 0-90mm (0-3.55")

TOOL WEIGHT = 10.5kg (23.2 lbs)

KIT COMPONENTS

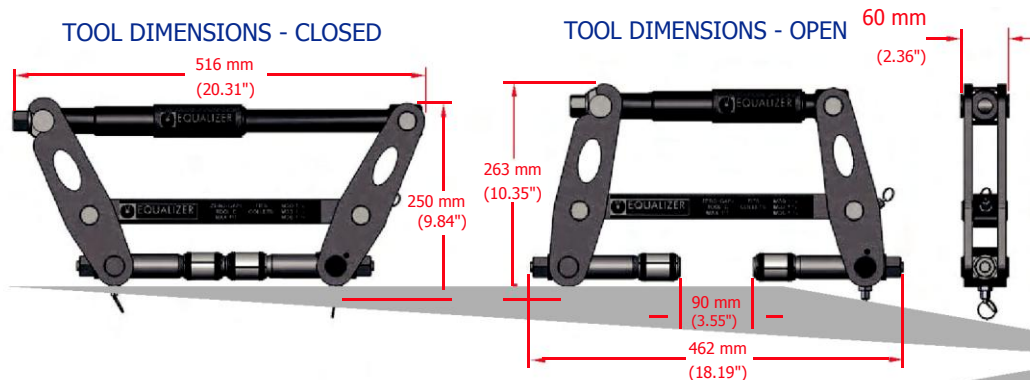
- 1 x ZG11™ Tool
 - 1 x 150mm (6") Vernier Calliper
 - 1 x 1/2" Drive Torque Wrench and 24mm Socket
 - 1 x Safety Block
 - 2 x M30 (1 1/8") Collets
 - 2 x M33 (1 1/4") Collets
 - 2 x M36 (1 3/8") Collets
 - 1 x Instruction Manual
 - 1 x Carry-Case with protective foam inserts
- Product Code: ZG11™STD



WEIGHTS AND DIMENSIONS

Tool weight = 10.5 kg (23.2 lbs)
Gross Weight = 20 kg (44 lbs)

Carry-Case Dimensions:
640 x 540 x 165mm (25.20" x 21.26" x 6.50")



ZG11TM

ZERO-GAP MECHANICAL FLANGE SPREADER



"innovation in its most functional form"

RANGE OF APPLICATION

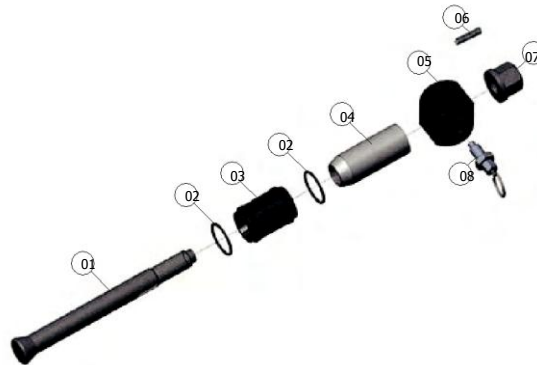
The ZG11TM is usable on all standard flanges that have been specified to accept the following bolt sizes: M30, M33, M36, 1 1/8", 1 1/4", 1 1/2"

This includes ANSI, DIN, SPO, ASME, API and BS flanges.

For a detailed range of application please request the Zero-Gap Mechanical Operator Instruction Manual.

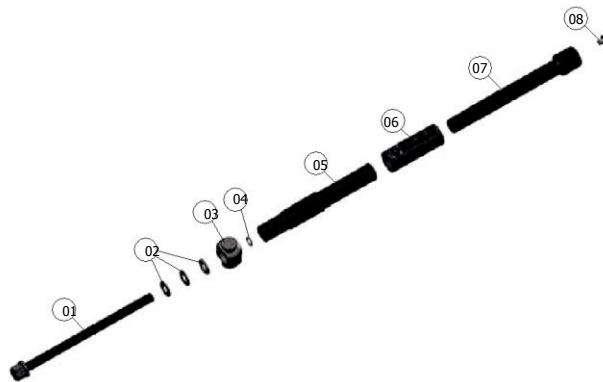
COLLET HEAD PARTS LIST AND EXPLODED DRAWING

ITEM	PART No.	DESCRIPTION	QUANTITY
01	630101	COLLET HOLDER	02
02	631001	M30 SPRING RING*	04
	631101	M33 SPRING RING*	04
	631201	M36 SPRING RING*	04
03	630201	M30 COLLET*	02
	630301	M33 COLLET*	02
	630401	M36 COLLET*	02
04	630501	DRIVE CONE	02
05	630601	COLLET UNION	02
06	630701	CENTRING SPRING 1	02
	633201	CENTRING SPRING 2	02
07	630801	COLLET NUT	02
08	900502	COLLET SPRING PLUNGER*	02



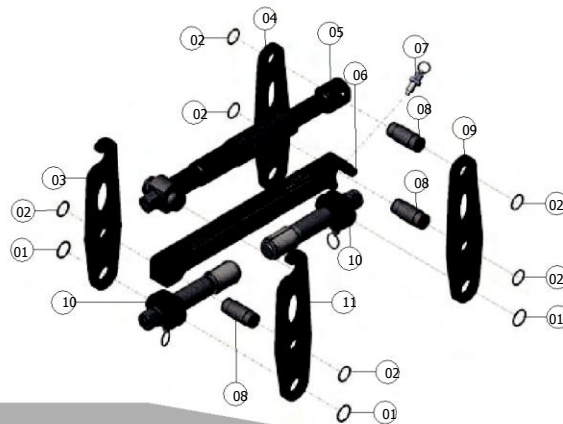
ACTUATOR PARTS LIST AND EXPLODED DRAWING

ITEM	PART No.	DESCRIPTION	QUANTITY
01	632201	ACTUATOR BOLT	01
02	632301	THRUST BEARING*	01
03	632501	OPEN ACTUATOR UNION	01
04	401301	ACTUATOR RETAINING RING*	01
05	632701	ACTUATOR SLEEVE	01
06	632801	FOAM GRIP	01
07	632901	CLOSED ACTUATOR UNION	01
08	633001	ACTUATOR RETAINING BOLT	01



ZG11TM PARTS LIST AND EXPLODED DRAWING

ITEM	PART No.	DESCRIPTION	QUANTITY
01	631601	COLLET RETAINING RING*	04
02	631501	CANTILEVER RETAINING RING*	06
03	631401	OPEN LEG R/H	01
04	631901	CLOSED LEG R/H	01
05		SEE ACTUATOR PARTS LIST	
06	632101	CANTILEVER	01
07	632001	CANTILEVER PLUNGER	01
08	631701	CANTILEVER PIN	03
09	631801	CLOSED LEG L/H	01
10		SEE COLLET HEAD PARTS LIST	
11	631301	OPEN LEG L/H	01



* Items are supplied in Spares Kit Part No: 636060-01