



"innovation in its most functional form"

## PRODUCT DATA SHEET

# FC10TE

## HYDRAULIC FLANGE CLOSING TOOL

STANDARD KIT | MAXI KIT

CLOSING FORCE: 10 T (100 kN) per tool

CLOSING DISTANCE:  
From 600mm (23.5") to 0

TOOL WEIGHT = 11 kg (24.25 lbs)

### KIT COMPONENTS | STD

- 1 x FC10TE Tool
  - 2 x 10,000 psi (700 bar) 5T Hydraulic Cylinders
  - 1 x 10,000 psi (700 bar) Hydraulic Hose
  - 1 x 10,000 psi (700 bar) Hydraulic Hand Pump
  - 1 x Instruction Manual
  - 1 x Carry-Case with Foam Inserts
- Product Code: FC10TESTD



### KIT COMPONENTS | MAXI

- 2 x FC10TE Tool
  - 4 x 10,000 psi (700 bar) 5T Hydraulic Cylinders
  - 2 x 10,000 psi (700 bar) Hydraulic Hose
  - 1 x 10,000 psi (700 bar) HP350D Hydraulic Hand Pump
  - 1 x Instruction Manual
  - 1 x Carry-Case with Foam Inserts
- Product Code: FC10TEMAX



### WEIGHTS AND DIMENSIONS

Tool weight = 11 kg (24.25 lbs)  
Gross Weight = 23.5 kg (51.8 lbs)

Packaging Dimensions:  
890 x 570 x 165mm (35.04" x 22.44" x 6.50")

Tool weight = 11 kg (24.25 lbs)  
Gross Weight = 36.5 kg (81.0 lbs)

Packaging Dimensions:  
890 x 570 x 165mm (35.04" x 22.44" x 6.50")



# FC10TE

HYDRAULIC FLANGE CLOSING TOOL

MAXI KIT



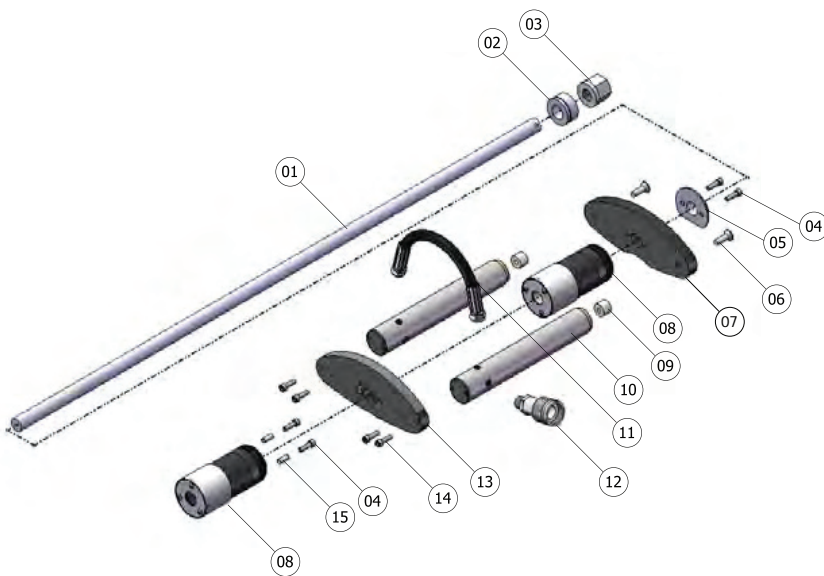
"innovation in its most functional form"

## RANGE OF APPLICATION

The FC10TE is applicable to all flanges with a bolt hole diameter of 25.4mm (1") or greater. This includes ANSI, DIN, SPO, ASME, API and BS flanges.

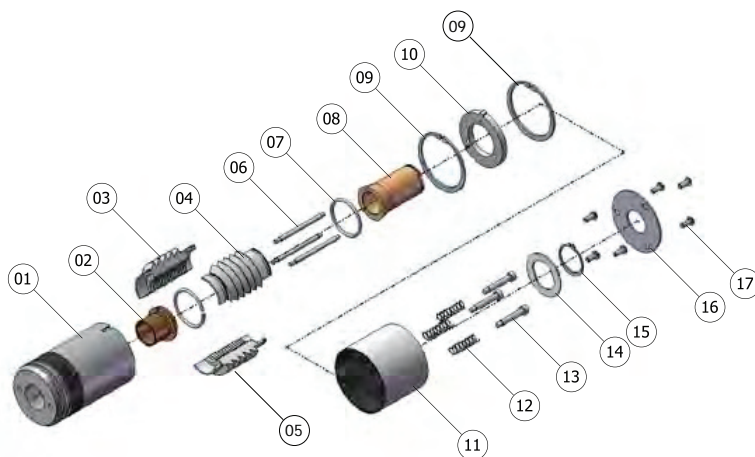
For a detailed range of application please refer to the FC10TE instruction manual.

## PARTS LIST AND EXPLODED DRAWING



ITEM	PART NO.	DESCRIPTION	QUANTITY
01	752801	PULL ROD	1
02	752901	ROD WASHER	1
03	640901	COLLET NUT	1
04	752101	NUT RETAINING SCREW	4
05	752701	BALL WASHER	1
06	752301	CYLINDER NOSE SCREW	2
07	750101	FRONT PLATE	1
08	753501	RATCHET NUT (SEE BELOW)	2
09	752401	CYLINDER NOSE ADAPTOR	2
10	752501	HYDRAULIC CYLINDER	2
11	752601	COUPLING HOSE	1
12	300901	FEMALE HALF COUPLER	1
13	750201	REAR PLATE	1
14	752201	CYLINDER RETAINING SCREW	4
15	753001	NUT RETAINING SLEEVE	2

## RATCHET NUT PARTS LIST AND EXPLODED DRAWING



ITEM	PART NO.	DESCRIPTION	QUANTITY
01	751001	NUT BODY	1
02	750401	CAGE FRONT RING	1
03	750601	COLLET SEGMENT 1	1
04	750701	COLLET SEGMENT 2	1
05	750801	COLLET SEGMENT 3	1
06	750501	CAGE SIDE BAR	3
07	751501	COLLET RETAINING SPRING	2
08	750301	CAGE REAR RING	1
09	751901	REACTION CIRCLIP	2
10	751301	REACTION PLATE	1
11	751101	NUT CAP	1
12	751601	NUT CAP RETURN SPRING	3
13	751701	NUT CAP RETURN SCREW	3
14	751201	LOCK WASHER	1
15	752001	CAGE CIRCLIP	1
16	751401	END CAP	1
17	751801	LOCK SCREW	6