

"innovation in its most functional form"

PRODUCT DATA SHEET

FA9TE

HYDRAULIC FIXED FLANGE AND ROTATIONAL ALIGNMENT TOOL

ALIGNING FORCE:
10,000 psi (700 bar) = 9 T (90 kN)

TOOL WEIGHT = 14.5 kg (32 lbs)

KIT COMPONENTS

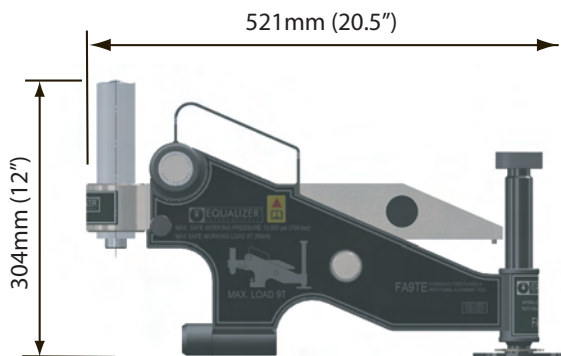
- 1 x FA9TE Tool
 - 1 x 10,000 psi (700 bar) Hydraulic Hose, 2m (78")
 - 1 x 10,000 psi (700 bar) Hydraulic Cylinder
 - 1 x 10,000 psi (700 bar) HP350S Sealed Hand Pump with Gauge
 - 1 x Ratchet Strap
 - 1 x Instruction Manual
 - 1 x Carry-Case
- Product Code: FA9TESTD



WEIGHTS AND DIMENSIONS

- | | |
|--------------|----------------------|
| Tool Weight | = 14.5 kg (32 lbs) |
| Case Weight | = 6.5 kg (14.3 lbs) |
| Gross Weight | = 26.5 kg (58.5 lbs) |

Carry-Case Dimensions:
920 x 520 x 210mm (36.2" x 20.5" x 8.3")



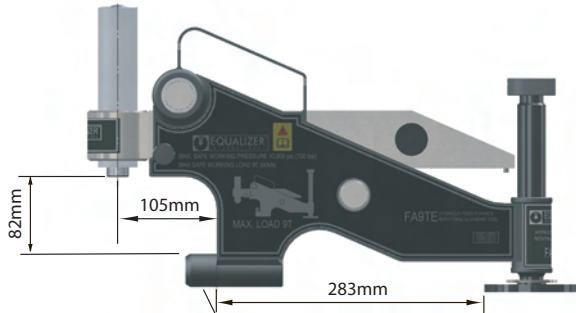
FA9TE

HYDRAULIC FIXED FLANGE AND
ROTATIONAL ALIGNMENT TOOL



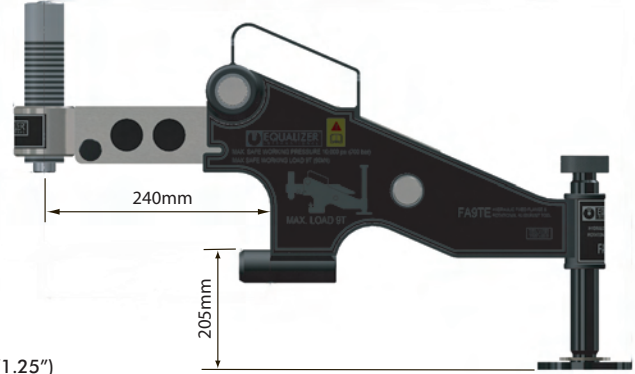
"innovation in its most functional form"

Minimum Extension



Minimum applicable Bolt Hole Diameter 31.5mm(1.25")

Maximum Extension



RANGE OF APPLICATION

ASME Weld neck

| | | | | | | | |
|-------|-----------|-----------|-----------|-----------|-----------|-----------|----------|
| Class | 150 | 300 | 400 | 600 | 900 | 1500 | 2500 |
| Range | 32" - 48" | 28" - 48" | 26" - 48" | 22" - 48" | 16" - 30" | 10" - 20" | 5" - 12" |

DIN Weld neck

| | | |
|-------|-----------|----------|
| Class | PN100 | PN160 |
| Range | 10" - 14" | 8" - 12" |

SPO compact Weld neck

| | | | | | | | | | |
|-------|-----------|-----------|-----------|-----------|-----------|-----------|-----------|-----------|----------|
| Class | 300 | 600 | 900 | 1500 | 2500 | 5000 | 7500 | 10000 | 15000 |
| Range | 34" - 48" | 26" - 48" | 22" - 48" | 14" - 44" | 12" - 24" | 12" - 24" | 10" - 22" | 10" - 22" | 6" - 16" |

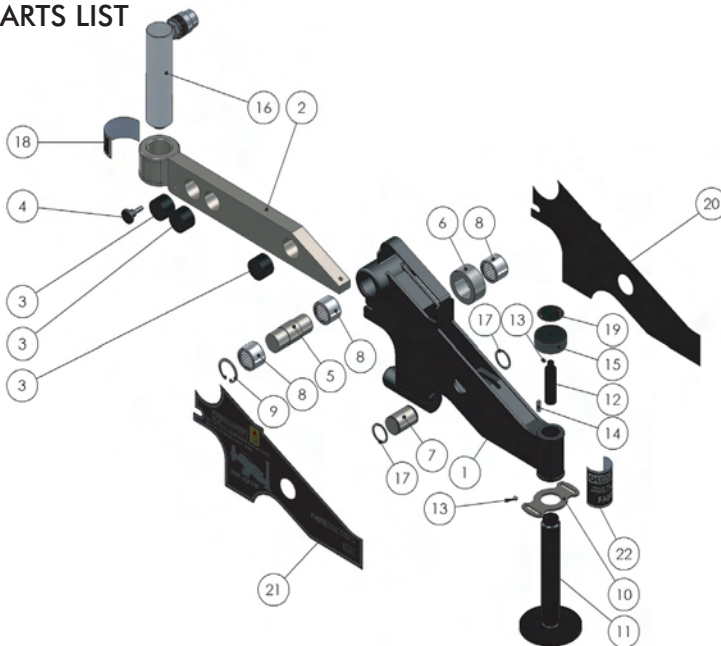
BS10 Weld neck

| | | | | | | | | |
|-------|------------|-----------|-----------|-----------|-----------|-----------|----------|----------|
| Class | D | E | F | J | K | R | S | T |
| Range | 54" - 120" | 42" - 48" | 39" - 48" | 17" - 24" | 13" - 20" | 12" - 20" | 8" - 16" | 7" - 14" |

API 6B&6BX Weld Neck

| | | | | | | |
|-------|------|--------------|---------------|-------------------|-------------------|-------------------|
| Class | 2000 | 3000 | 5000 | 10000 | 15000 | 20000 |
| Range | 11" | 5 1/8" - 11" | 4 1/16" - 11" | 7 1/16" - 16 3/4" | 4 1/16" - 7 1/16" | 2 9/16" - 4 1/16" |

PARTS LIST



| Item | Part | Description | Qty |
|------|-----------|-----------------------|-------|
| 01 | 230100-01 | Main Body | 01 ea |
| 02 | 230200-01 | Wing Arm | 01 ea |
| 03 | 230202-01 | Plastic Insert | 03 ea |
| 04 | 230203-01 | M6 Release Knob | 03 ea |
| 05 | 230300-01 | Front Roller Pin | 01 ea |
| 06 | 230400-01 | Rear Roller | 01 ea |
| 07 | 230500-01 | Rear Roller Pin | 01 ea |
| 08 | 230600-01 | Needle Bearing | 03 ea |
| 09 | 230700-01 | Circlip O/D 40 | 01 ea |
| 10 | 230802-01 | Buckle | 01 ea |
| 11 | 220600-01 | Leg Screw | 01 ea |
| 12 | 220700-01 | Leg Screw Ext. | 01 ea |
| 13 | 300401-01 | M5x6 Set Screw | 01 ea |
| 14 | 641201-01 | Dowel Pin 6x18 | 01 ea |
| 15 | 713001-01 | Release Valve | 01 ea |
| 16 | 903101-01 | 6T H. Cylinder | 01 ea |
| 17 | 901601-01 | Spirol Clip | 02 ea |
| 18 | 070233-01 | Logo For Wing | 01 ea |
| 19 | 070273-01 | Drop L. Knob Sticker | 01 ea |
| 20 | 070276-01 | Body Plate Sticker L. | 01 ea |
| 21 | 070277-01 | Body Plate Sticker R. | 01 ea |
| 22 | 070278-01 | Eq. Logo For Boss | 01 ea |
| 23 | 400270-01 | Ratchet | 01 ea |
| 24 | 400280-01 | Ratchet Strap | 01 ea |